

# EVFC(φ38)

High Voltage automotive fuses with excellent durability properties

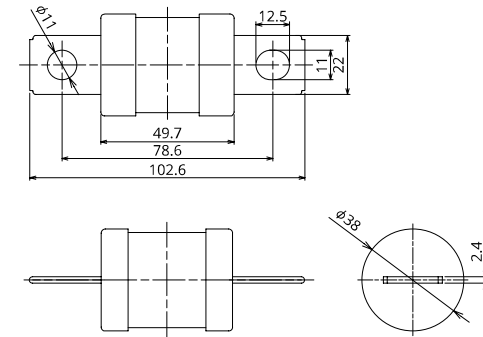


### General Specification

Rated Voltage	DC450V
Breaking Capacity	6000A
Recommended Operating Temp.	-40°C~125°C*2
Standard	—
Country of Origin	Japan
Plating	Ni Plating
Standard Packaging	40
Insertion Force	—
Pull-out Load	—
Recommended Torque	(16.0±1.0)N·m

\*2 Please contact us for the details of operating temperature.

### Dimensions



### Product Lineup

Ampere Rating(A)	Part Number	Bolt Size	Diameter	Resistance Value	Voltage Drop*1
300	2876	M10	φ38	0.255 mΩ	125 mV
350	2877			0.195 mΩ	135 mV
400	2878			0.175 mΩ	150 mV

\*1 Voltage drop: apply 100% of the rated current.  
 \*In case a product other than the ones published in this document is desired, please contact us for details.

### Time-Current Characteristic

% of Ampere Rating(A)	Operating Time	
	Min	Max
110%	4hrs.	—
200%	1sec.	300sec.
300%	0.2sec.	30sec.
500%	0.05sec.	1sec.

\*The fuse characteristic may change depending on the conditions of use.

### Time-Current Characteristic Chart

