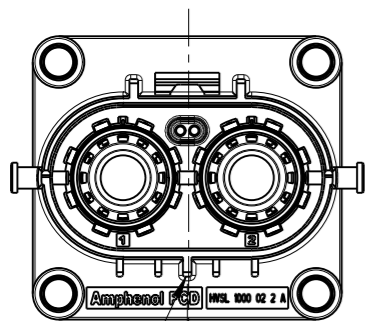


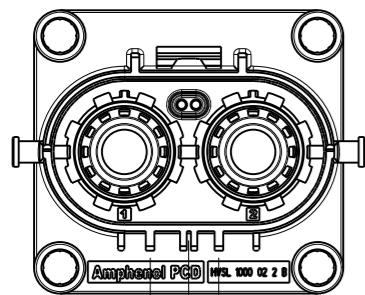
CUSTOMER DRAWING

REV	ECN	DESCRIPTION	DATE	MODIFIED
1		PRE-RELEASE	14/08/13	Eric
2		CHANGED THE POWER CONTACT	23/10/13	Eric
3		ADD CODINGS	09/09/14	Eric
4		ADD WIRE DIAMETER	15/09/15	Robin Yuan

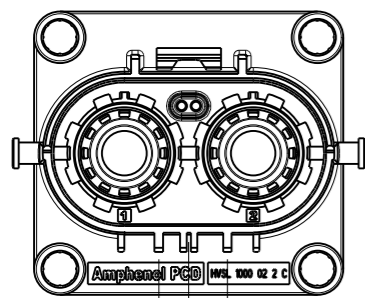
SCALE 3:5



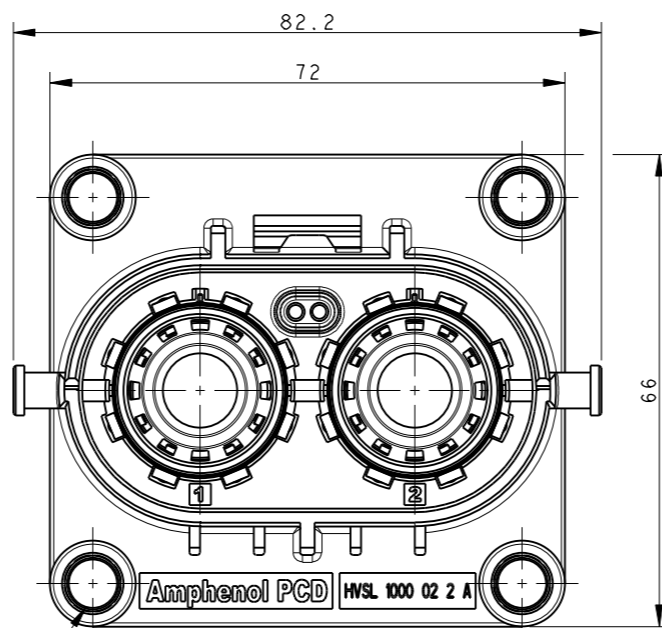
KEY 0
HVSL 1000 02 2 A
CODING A



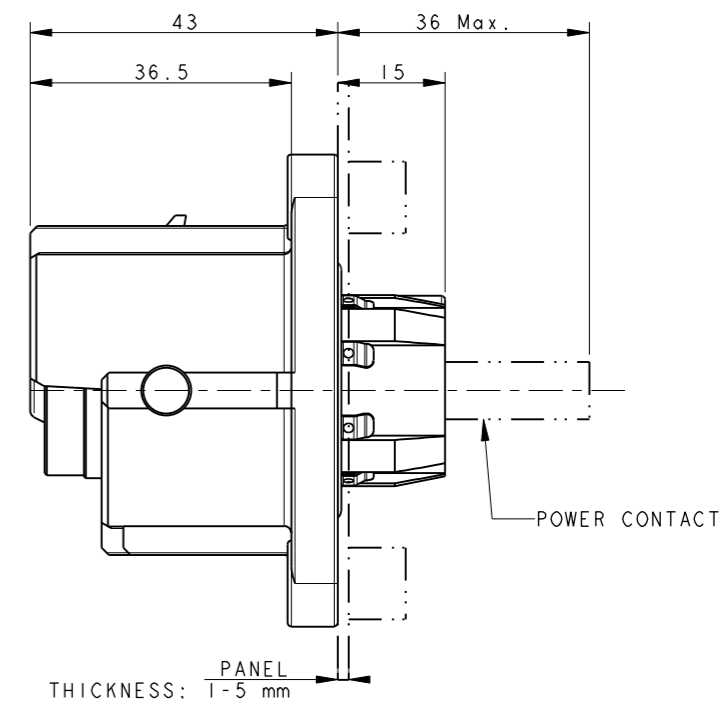
9 7
HVSL 1000 02 2 B
CODING B



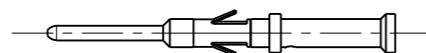
7 9
HVSL 1000 02 2 C
CODING C



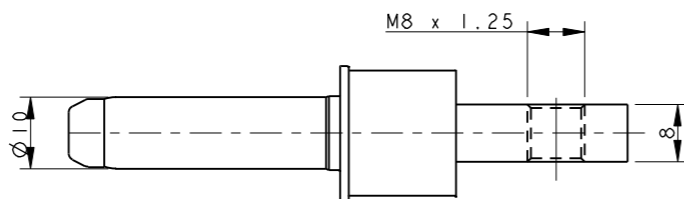
M6 SCREW AND WASHER APPLICABLE



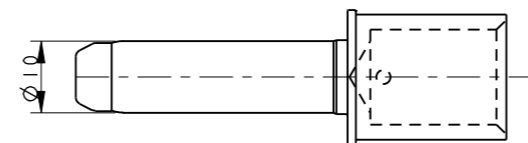
THICKNESS: PANEL 1-5 mm



CONTACT FOR IL (INTER-LOCK) USE
(0.5 mm² MAX. WIRE)
P/N: C200003609



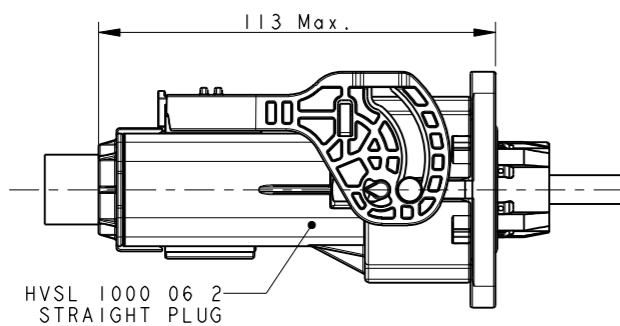
POWER CONTACT (THREAD FOR BUS-BAR)
P/N: C4200036152



POWER CONTACT (CRIMP FOR WIRE)
P/N: C42000361511 -- 70 mm² WIRE OD=19.0 ± 0.7MM
C42000361512 -- 50 mm² WIRE OD=16.5 ± 0.4MM
C42000361513 -- 35 mm² WIRE OD=14.2 ± 0.4MM
C42000361514 -- 25 mm² WIRE OD=11.9 ± 0.3MM

NOTES:

- MATERIAL & FINISH:
PLASTIC BODY: THERMOPLASTICS UL 94V-0 ORANGE COLOR
POWER CONTACT: COPPER ALLOY SILVER PLATED
IL CONTACTS: COPPER ALLOY GOLD PLATED
SHIELDING: COPPER ALLOY TIN PLATED
RING: STAINLESS STEEL
O-RING: SILICONE RUBBER
- ELECTRONICAL CHARACTERISTICS:
HIGH VOLTAGE RATED 1000 V DC MAX.
CURRENT RATED 250 A MAX.
WITHSTANDING VOLTAGE 3000 V AC
PRODUCTS ARE COMPLIANCE WITH EN 60664-1 POLLUTION II
- ENVIRONMENT CHARACTERISTICS:
IP67 IP6K9K RATED (WHEN MATING)
IP2XB RATED FOR FINGER TOUCH-PROOF
- DELIVERY WITHOUT CONTACTS. THE CONTACTS SHOULD BE ORDERED SEPARATELY.
- SEE APCD-TD-073 FOR ASSEMBLY INSTRUCTION.



CONNECTORS MATED OUTLINE

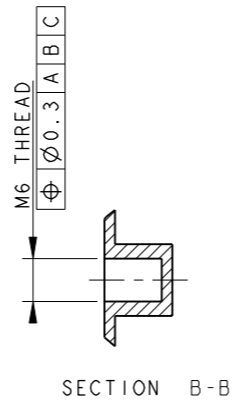
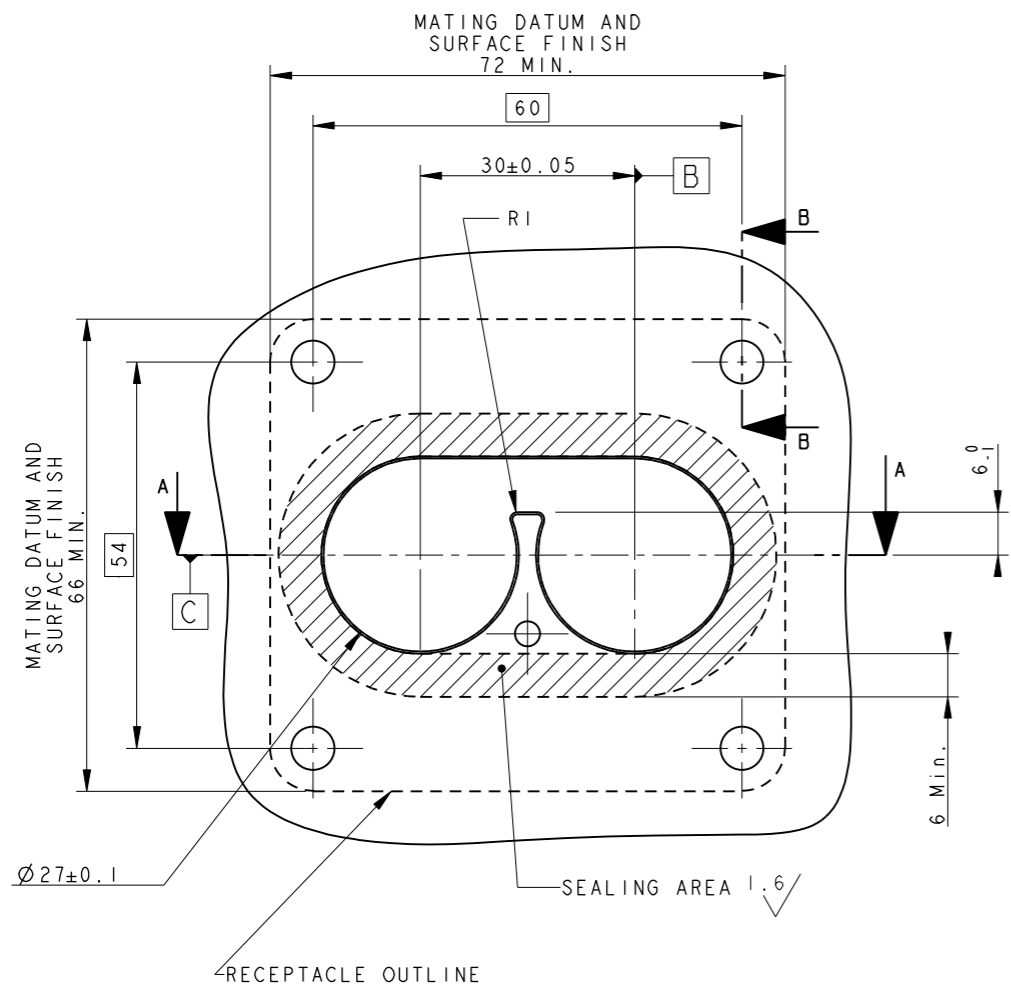
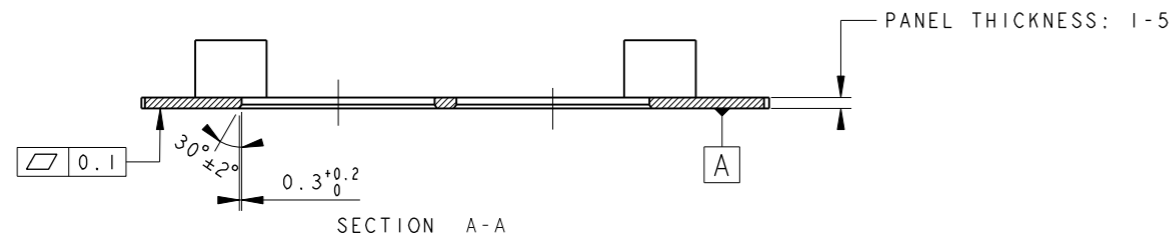
DIMENSIONS	TOLERANCES	PROJECTION	Amphenol Pcd Shenzhen	
ANSI Y14.5M UNITS: MM Pro/E FILE	X ±0.3 XX ±0.10 ANGLES ±0.5°		ENGR Robin Yuan	15/09/15
ORIGINAL NOT FOR CUSTOMER DISTRIBUTION	THIS DOCUMENT CONTAINS PROPRIETARY INFORMATION WHICH IS THE CONFIDENTIAL PROPERTY OF AMPHENOL PCD SHENZHEN		CHKD	
			APPD	

TITLE			
HVSL 1000 02 2 X BOX MOUNTING RECEPTACLE ASSEMBLY			
SIZE A3	DWG NO. C-HVSL1000022X	REV 4	
CODE: 58982	SCALE: 1:1	SHEET 1 OF 2	

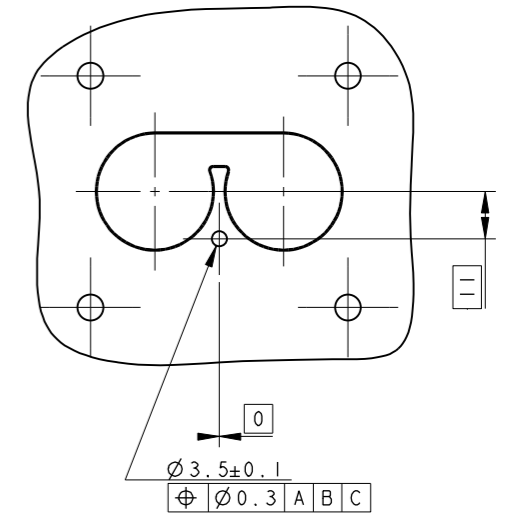
C-HVSL1000022X

C-HVSL1000022X

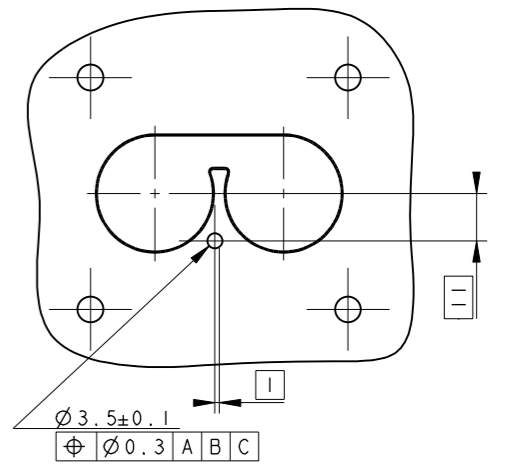
PANEL DRILLING



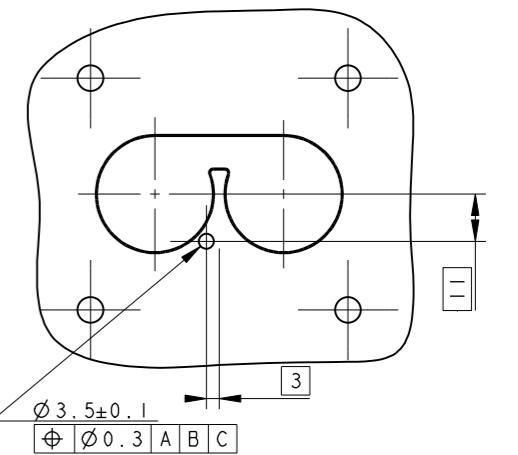
CODING A SCALE 3:5



CODING B



CODING C



C-HVSL1000022X

C-HVSL1000022X

SIZE	DWG NO.	REV
A3	C-HVSL1000022X	4
CODE: 58982	SCALE: 1:1	SHEET 2 OF 2