

EVFP(38×64)

Lightweight and compact High Voltage automotive fuses with excellent vibration resistance properties

EVF

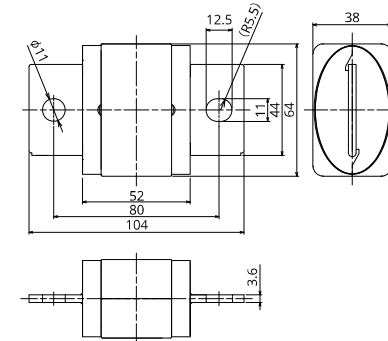


General Specification

Rated Voltage	DC500V
Breaking Capacity	16000A
Recommended Operating Temp.	-40°C~100°C*2
Standard	—
Country of Origin	Japan
Plating	Tin plating
Standard Packaging	32
Insertion Force	—
Pull-out Load	—
Recommended Torque	(16.0±1.0)N·m

*2 Please contact us for the details of operating temperature.

Dimensions



Product Lineup

Ampere Rating(A)	Part Number	Bolt Size	Diameter	Resistance Value	Voltage Drop
500	2975	M10	—	Coming up	Coming up
600	2970				
700	2971				
800	2972				
900	2973				
1000	2974				

*1In case a product other than the ones published in the document is desired, please contact us.
*SOP planned for March 2019. Please contact us for the details.

Time-Current Characteristic

% of Ampere Rating(A)	Operating Time	
	Min	Max
110%	4hrs.	—
200%	5sec.	100sec.
300%	0.5sec.	15sec.
500%	—	1sec.

*The fuse characteristic may change depending on the conditions of use.

Time-Current Characteristic Chart

